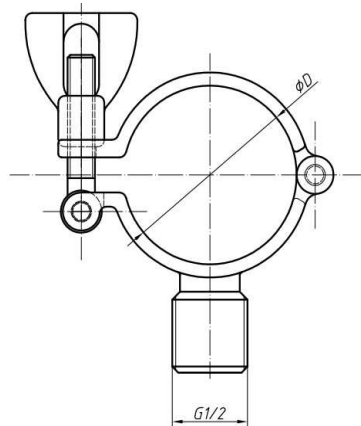


CANG ZHOU CHANGYUAN FITTINGS CO.,LTD

No.26 Shigang Road,Development Zone,Cangzhou,Hebei,China 061000

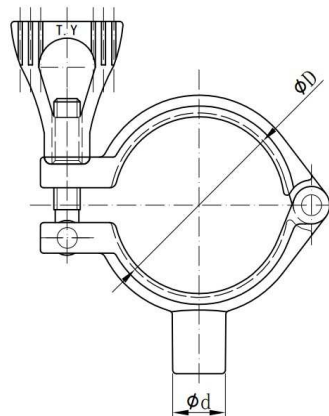
[Http: www.con-well.com](http://www.con-well.com) E-mail: con-well@vip.163.com



(Measures:mm)

Brasil Pipe Holder

Item \ DN	1"	1.5	2"	2.5	3"	4"
D	25.4	38.1	50.8	63.5	76.2	101.6



Korea Pipe Holder

Item \ DN	1S	1.5S	2S
D	25.4	38.1	50.8
d	16	16	16